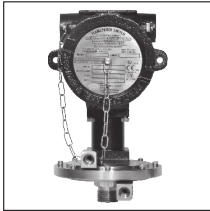


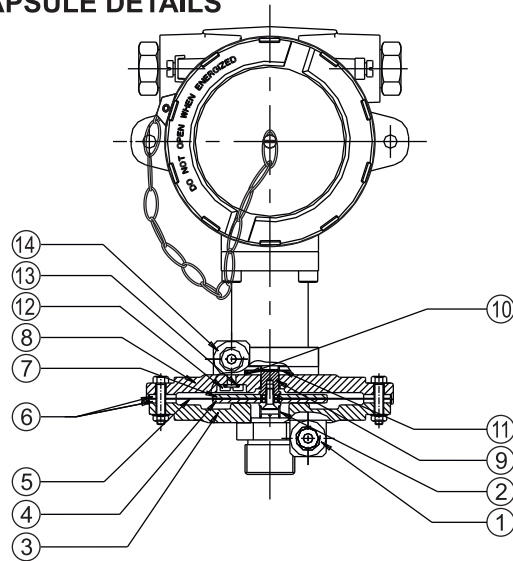
FC/FE LOW DP HIGH PROOF PRESSURE DIFFERENCE SWITCHES



FC



PRESSURE CAPSULE DETAILS



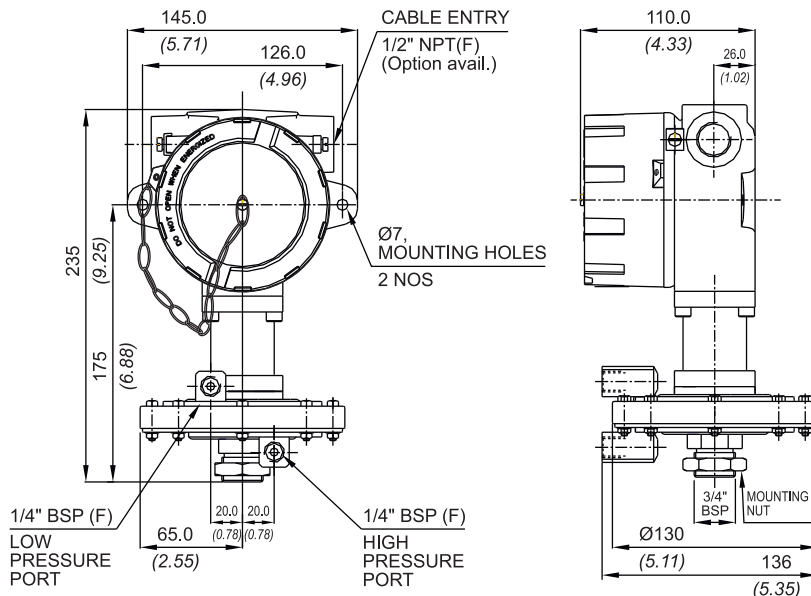
No. Description

1. High pressure port (S.S.)*
2. Support spring (S.S.)
3. Bottom flange (S.S.)*
4. Support plate (S.S.)
5. Diaphragm (Neoprene)
6. Gasket (Nitrile)
7. Top plate (S.S.)
8. Top flange (S.S.)*
9. Transfer pin (S.S.)
10. 'O' ring (Nitrile)
11. Sealing diaphragm (Nitrile)
12. Top flange screw (S.S.)
13. Sealing 'O' ring (Nitrile)
14. Low pressure port (S.S.)*

Note : wetted parts are mentioned in italics.

*Pressure ports are welded with flange

INSTALLATION DRAWING



APPROX. DIMENSIONS IN $\frac{\text{mm}}{\text{inches}}$

FC/FE LOW DP HIGH PROOF PRESSURE DIFFERENCE SWITCHES

RANGE SELECTION TABLE

Range Code	Range mbar ("wc)	Differential* mbar (" wc)	Maximum Working Pressure bar (psi)
		Approximate Maximum for "A1" microswitch	
N02	1.5 to 15 (0.602 to 6.030)	3.0 (1.205)	20.0 (290.075)
N03	5 to 25 (2.009 to 10.046)	5.0 (2.009)	20.0 (290.075)
N05	10 to 50 (4.018 to 20.093)	5.0 (2.009)	20.0 (290.075)
N10	10 to 100 (4.018 to 40.186)	10.0 (4.018)	20.0 (290.075)
N15	10 to 150 (4.018 to 60.280)	10.0 (4.018)	20.0 (290.075)
N25	20 to 250 (8.037 to 100.466)	15.0 (6.030)	20.0 (290.075)
N35	50 to 350 (20.093 to 140.653)	35.0 (14.060)	20.0 (290.075)

Note:

1. The minimum differential increases with the setpoint. The differential values mentioned in the above table are approximate maximum for FSR. The differential value will vary according to the pressure range selected and microswitch type. For actual values of differential please contact sales office.

2. When using 2SPDT switching arrangement, both microswitches may not actuate and/or deactuate at the same point. A small stage gap, normally upto +/- 5% FSR (depending on range code) may be observed. The On-Off differential (hysteresis) typically tends to be atleast double of those published for 1SPDT pressure switches.

If actuation and/or deactuation at same point is critical part of operation, then it can be achieved by using a separate DPDT relay. This relay will need a separate power supply for it's coil.

HOW TO ORDER FLAMEPROOF LOW DP HIGH PROOF PRESSURE DIFFERENCE SWITCHES

LOW DP HIGH PROOF PRESSURE DIFFERENCE SWITCHES																				
Group 1	Group 2	Group 3	Group 4	Group 5	Group 6	Group 7	Group 8													
Non standard allocation	Model	Cable Entry Size	Switch Type	Range Code (values in mbar)	Microswitch Type	Pressure Port Material / Size	Diaphragm													
<input type="checkbox"/> A prefix "N" is used in the model code in case of any non standard options / accessories that are provided with the switches. Will be given by manufacturer, only after agreement of supply details with customer.	FC = IP66 Flameproof pressure switch, ATEX, IECEx & PESO approved FE = IP66 Flameproof pressure switch, PESO approved	1 = Al. head 1/2" NPT threads 2 = Al. head 3/4" NPT threads 3 = Al. head M20 x 1.5 threads *4 = Grey Cl head 1/2" NPT threads *5 = Grey Cl head 3/4" NPT threads *6 = Grey Cl head M20 x 1.5 threads 7 = SS head 1/2" NPT threads 8 = SS head 3/4" NPT threads 9 = SS head M20 x 1.5 threads	D1 = pressure difference switch, fixed differential without scale D2 = pressure difference switch, fixed differential with scale in mbar D3 = pressure difference switch, fixed differential with scale in "wc	N02 = (1.5 - 15) N03 = (5 - 25) N05 = (10 - 50) N10 = (10 - 100) N15 = (10 - 150) N25 = (20 - 250) N35 = (50 - 350)	A1 = General purpose microswitch rated at 15 A, 250 VAC *A6 = elements with adjustable deadband *A7 = 2SPDT switching elements A8 = General purpose microswitch rated at 5 A, 250 VAC; 5 A, 28 VDC *B7 = 2SPDT Switching Elements C6 = 1SPDT Adjustable Differential	S1 = SS316 / 1/4" BSP(F) S2 = SS316 / 1/4" NPT(F)	0 = Neoprene 1 = PTFE													
The prefix is subject to change as per specific requirement. Approx. switch weight in Kgs		Please refer to page nos. 120 & 121 for options and specifications of microswitches * Please contact sales office for additional information						More options available, please contact sales office												
<table border="1" style="width: 100%; border-collapse: collapse;"> <thead> <tr> <th style="text-align: left;">Enclosure</th> <th style="text-align: left;">FC</th> <th style="text-align: left;">FE</th> </tr> </thead> <tbody> <tr> <td>Aluminium</td> <td style="text-align: center;">4.230</td> <td style="text-align: center;">3.730</td> </tr> <tr> <td>Grey Cl</td> <td style="text-align: center;">6.630</td> <td style="text-align: center;">6.130</td> </tr> <tr> <td>SS</td> <td style="text-align: center;">6.720</td> <td style="text-align: center;">6.220</td> </tr> </tbody> </table>		Enclosure	FC	FE	Aluminium	4.230	3.730	Grey Cl	6.630	6.130	SS	6.720	6.220	For adjustable differential please select microswitches A6 or C6 in group 6						For additional wetted parts please contact Sales Office
Enclosure	FC	FE																		
Aluminium	4.230	3.730																		
Grey Cl	6.630	6.130																		
SS	6.720	6.220																		

FC/FE

eg. A flameproof switch for gas group IIC, with 1/2" NPT cable entry in aluminium housing as 1SPDT pressure switch, having 0.1 bar to 1 bar pressure range, with 15Amp. microswitch, SS316 pressure housing with 1/4" BSP port size & neoprene diaphragm shall be specified by

Group 1	Group 2	Group 3	Group 4	Group 5	Group 6	Group 7	Group 8
□	FC	1	D1	N03	A1	S1	0

Please specify full model number to avoid ambiguity. If only the first two groups are specified while ordering, uncalibrated switches with standard wetted parts and enclosures will be supplied.